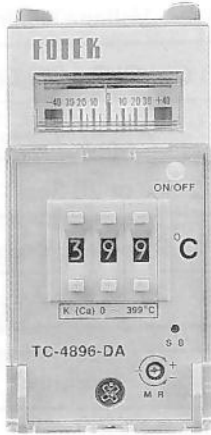
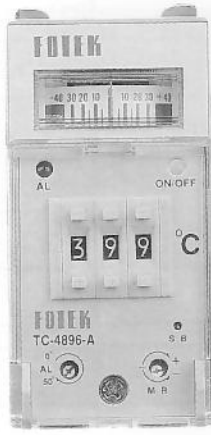
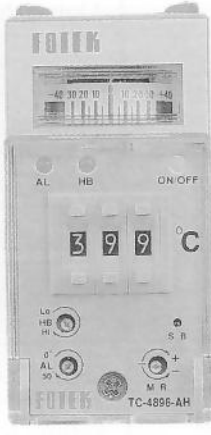


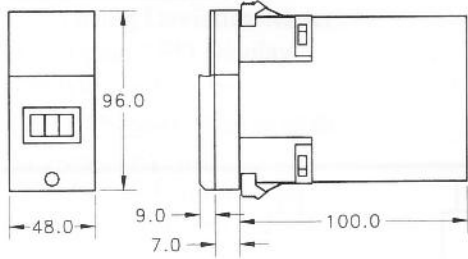
# TC-4896 Series

# DIN 48X48 Temperature Controller

Model		TC-4896-DA-□-□	TC-4896-DA-□-□-A	TC-4896-DA-□-□-AH
DIN48 X 96				
Alarm		Non	AL Alarm	AL+HB
Display	Method	Analog Deviation Meter		
	Tolerance	1.0% of F.S.		
	Range	40		
Setting	Method	Digital Switch < 3 Digits >		
	Tolerance	0.5% of Setting Range		
	Range	-99~+99, 0~199, 0~399, 0~599, 0~999		

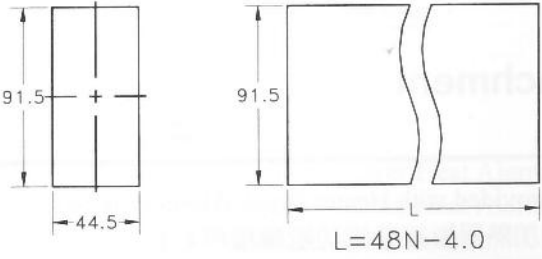
## Dimension & Fixed Hole

**Outline**



**Fixed Hole ( Thickness 1~8mm )**  
Single Cutout Multi Juxtaposed Cutout

單個開孔      多個並排開孔



$L = 48N - 4.0$

N	2	3	4	5	6
L	92.0	140.0	188.0	236.0	284.0

# DIN 48X48 Temperature Controller

# TC-4896 Series

Model	TC-4896-DD-□-□	TC-4896-DD-□-□-A	TC-4896-DD-□-□-AH
<b>Outline</b> 			
<b>Alarm</b>	Non	AL Alarm	AL+HB
<b>Display</b>	<b>Method</b> 14 mm 7 Segment Green LED		
	<b>Tolerance</b> 0.5% of F.S. + 1 Digit		
	<b>Range</b> -99~+99, 0~999		
<b>Setting</b>	<b>Method</b> Digital Switch < 3 Digits >		
	<b>Tolerance</b> 0.5% of Setting Range		
	<b>Range</b> -99~+99, 0~199, 0~399, 0~599, 0~999		

## ■ Connection Diagram & Output Circuit

