

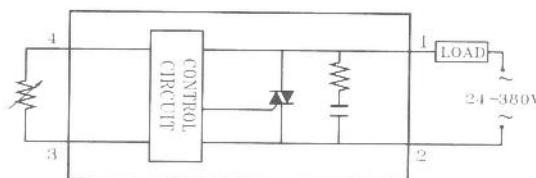


## ■ Specifecation

Type	Terminal Type		
Model	SSR-10VA	SSR-25VA	SSR-40VA
Rated Load Current	10A	25A	40A
<b>Input Data</b>			
Variable Resistance	Trimmer / 250k $\Omega$ to 110V , 500k $\Omega$ to 220V		
Control Method	Phase Control		
<b>Output Data</b>			
Operating Voltage	24~380VAC		
Min. Black Voltage	600 VAC < Repetive >		
Voltage Drop	1.6 V / 25 C		
Max. Durated Current	135A	275A	410A
Leakage Current	5.0mA	5.0mA	5.0mA
<b>General Data</b>			
Dielectric Strength	Over 2.5KVAC / 1min.		
Isolation Strength	Over 50M $\Omega$ / 500VDC		
Operating Temperature	-20 C ~ +80 C		
Housing Material	Intensive PBT		
Weight	Appr. 105g		

### Connection Diagram

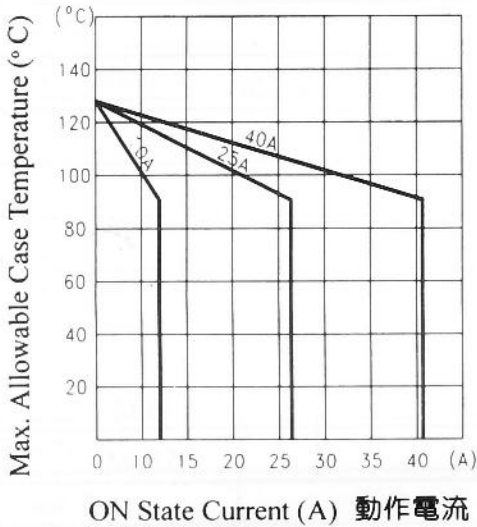
#### Adjustable SSR



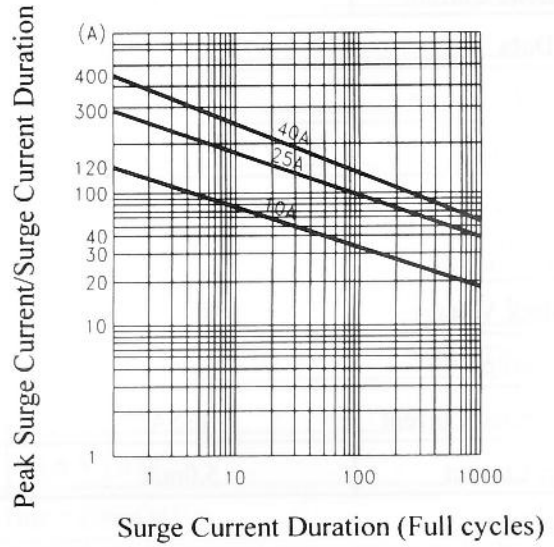
VR : 250KV  $\Omega$  / 110VAC, 500K  $\Omega$  / 220VAC

## Curve of Characteristic

0  
**Max. Allowable Case Temperature**  
 最高容許表面溫度

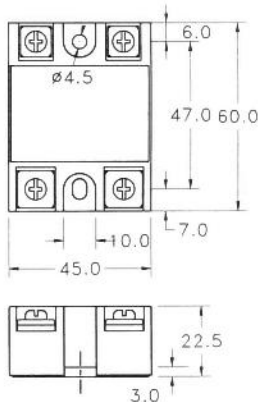


**Peak Surge Current/Surge Current Duration**  
 衝擊電流 / 承受次數

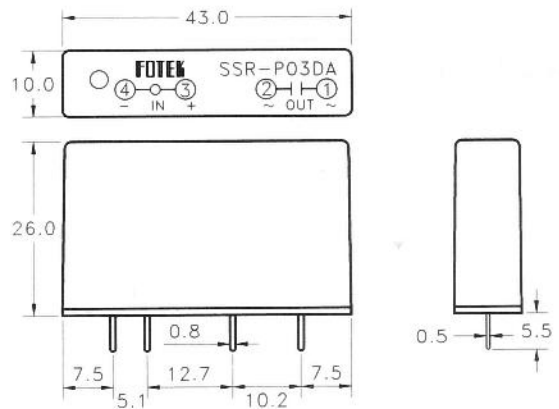


## Dimension

Terminal Type

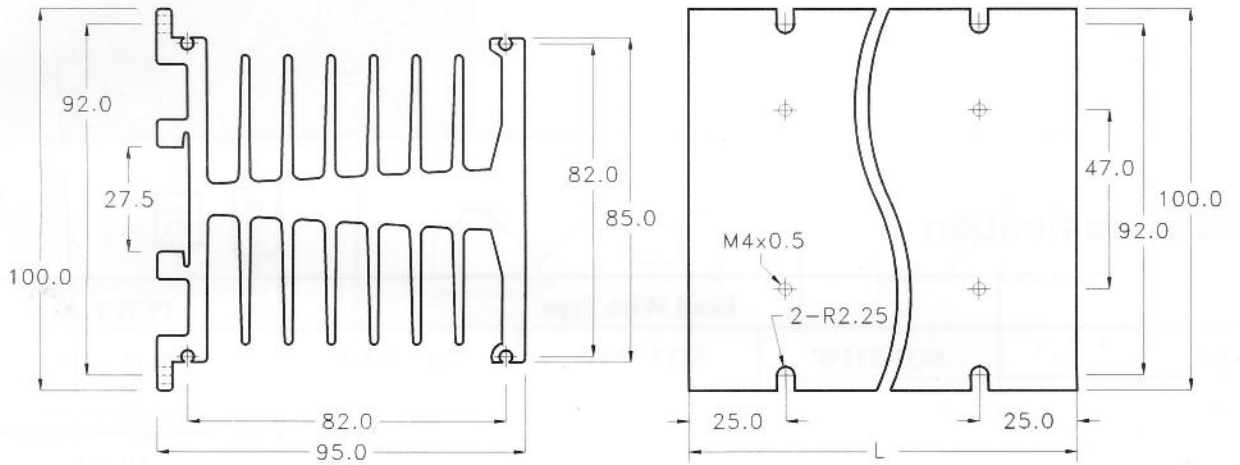


PCB Type

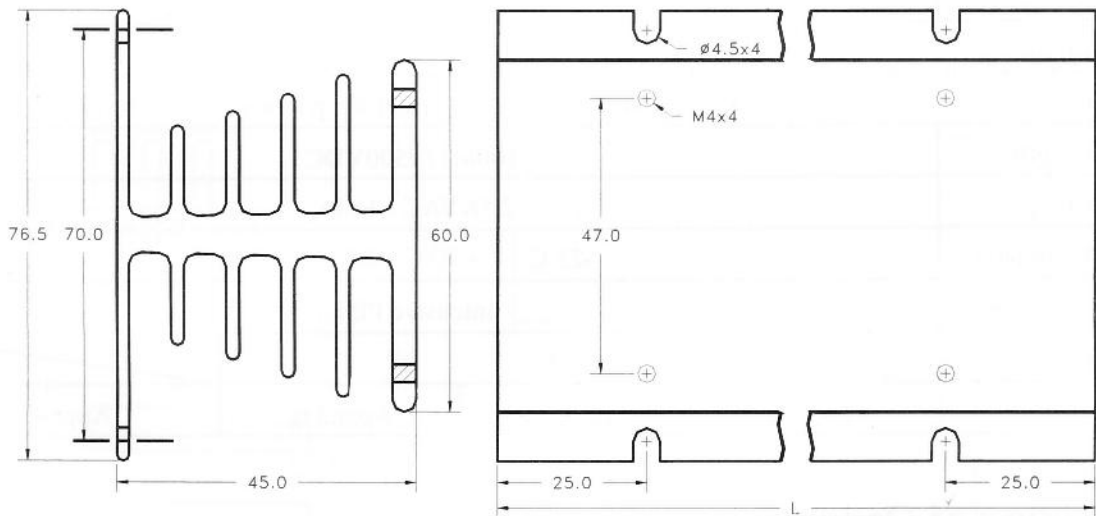


Dimension < Heat Sink >

Standard Type



H Type



Model	Length (L)mm	Current Duration	pcs of SSR
HS-50H	50.0	10A max.	Single
HS-100H	100.0	25A max.	Twice
HS-150H	150.0	40A max.	Three
HS-200H	200.0		Four