

* Sensitivity Adjustable With
14 Turns Trimmer.

* High stability With Low Thermal Drift.

* Metallic & Non-Metallic Objects.

Are Sensible , Including Glass.

Lumber , Oil , Water and Plastic Objects Ets.

* NC Type Are Available,

Model : CP18 - 30 NB , CP18 - 30PB ,

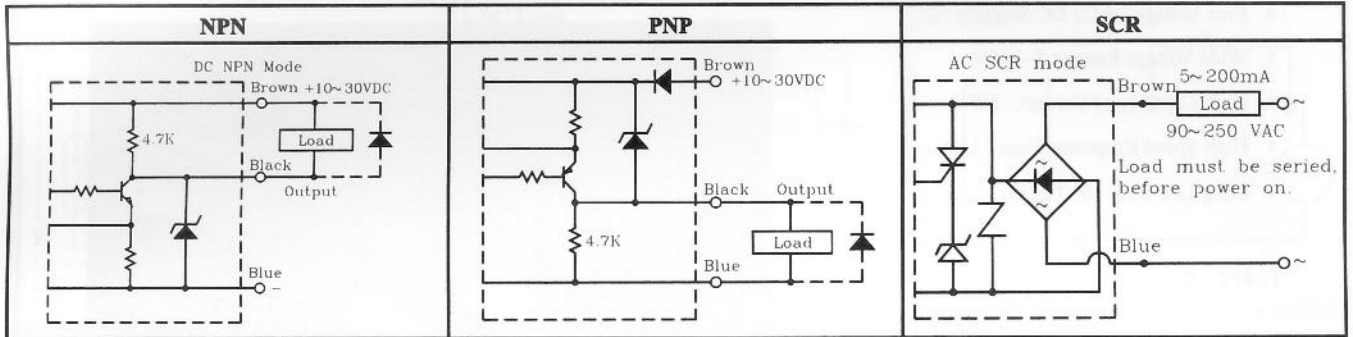
CP30 - 50 NB , CP30 - 50PB , CP30 - 50SB



Model Guiding

Type	M18		M30		
Model	CP18-30N	CP18-30P	CP30-50N	CP30-50P	CP30-50S
Sensing Distance	20.0mm		30.0mm		30.0mm
Operating Voltage	10~30 VDC ; Ripple < 20% of Vp-p				90~250 VAC
Current Consumption	20mA max.				1.5 VA max.
Response Frequency	100Hz				15Hz
Output Method	NPN	PNP	NPN	PNP	SCR
Output Current	150mA max.				100mA
Leakage Current	< 0.8mA				< 2.0mA
Circuit Protection	Polarity reversed & Over load protection				
Sensitivity Adjuster	14 Turns trimmer				
Operating Temp./Hum.	-20°C~+60°C ; 35%~95% RH				
Protection Class	IP-66				
Housing Material	Ploymid		Cu plated Ni		
Weight	Appr. 70g		Appr. 160g		

Output Circuit & Connection Diagram



Dimension

