

C-26X DIN 48 X 96 series μ P Multi-Function Up / Down Counter

- * Micro - Processor < μ P > Based.
- * Memory Method : EEPROM.
- * High Response Frequency : 5 KHZ
- * High Reliability With Hi - Anti - Noise Circuit.
- * Easy To Test With Input LED.
- * Easy to Monitor With 0.56" LED Display.
- * Two Phase Reversible Counter or Single Input Additional Counter.
- * Wide Range of Operating Voltage 90~250 VAC , 50/60Hz
- * Divisor Range : 1 ~ 9999
Multiplier Range : 0.001 ~ 9.999
- * One Decimal Point Available ,
Accept Order To Manufacture.



■ Specification

Type	Total Counter	Single Preset	Dual Preset
Model	C-260	C-261	C-262
Digits of Counting	6 digits	6 digits	6 digits
Digits of Setting	Non	6 digits	6 digits
Display Method	Counting : 0.56" Red LED	Counting : 0.56" Red LED Setting : 0.36" Green LED	
Counting Method	Addition , Two phase Reversible Counter		
Output Method	Non	One Relay	Two Relay
Output Control	Non	N/R/C or Comparison	

Power Supply	9~250 VAC , 50/60HZ		
DC Power Output	12VDC/60mA max.		
Memory Method	EEPROM		
Dielectric Strength	Over 2.5KV/1min. <Between Power and Each Terminal >		
Isolation Strength	Over 50M Ω /500VDC , <Between Power and Each Terminal >		
Operating Temp./Hum	-20°C ~ +60°C ; 35%~85%		
Response Frequency	High Speed > 5K CPS ; Low Speed > 100CPS		
Count Input	Negative Logic ; L < 2V ; High > 6V		
Reset Input	Logic ; L < 2V ; High > 6V		
Timer	Delay Timer of Auto Reset , Range : 0.01s~99.99s		
Divisor / Multiplier	Range of Divisor : 1~9999 , Range of Multiplier : 0.001~9.999		
Weight	Apr.215g	Apr.235g	Apr.280g

Function of Select Switch

Rotary Switch < RS >

NO.	Type of Counter	Method of Counting
0	Single Preset Up/Down Counter 一段設定加減算計數器	Two Phase Reversible Counter 二相加減算
1	Dual Preset Up/Down Counter 二段設定加減算計數器	Two Phase Reversible Counter 二相加減算
2	Total & Single Preset Addition Counter 總數+一段設定計數器	Single Phase Addition Counter 單相加算
3	Total & Dual Preset Addition Counter 總數+二段設定計數器	Single Phase Addition Counter 單相加算

Inner DIP Switch < 內部 > < SW I >

NO.	Function
1	ON : SV < D > for Setting of Divisor. < Range From 1 To 9999 > or Multiplier < Range From 0.001 To 9.999 > After Setting , Please Set It To OFF Position. 除數設定範圍 1~9999 , 乘法設定範圍
2	ON/4 digits Setting 4 位數設定 OFF/6 digits Setting 6 位數設定
3	ON : Multiplier 乘法器 OFF : Divisor 除法器
4	ON/Comparison Control Output 比較輸出 OFF / N/R/C Control Output N/R/C 控制輸出

Inner DIP Switch < 內部 > < SW II >

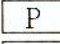

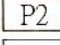


NO.	Function
1	ON/IN1 Low Speed Response Frequency , 100 CPS max. 低速 100 CPS OFF/IN1 High Speed Response Frequency , 5K CPS max. 高速 5K CPS
2	ON/IN2 Low Speed Response Frequency , 100 CPS max. 低速 100 CPS OFF/IN2 High Speed Response Frequency , 5K CPS max. 高速 5K CPS
3	ON/Output Control "R" 輸出控制 "R" 功能
4	ON/Output Control "C" 輸出控制 "C" 功能

★ Both "3" and "4" Are ON or OFF , Output Control "N"
"3" 及 "4" 或全 OFF , 輸出控制 "N" 功能

■ Illumination

■ Function of Key

Selection of Setting Address

Single Preset :  P P/ Preset Value
Dual Preset :  P1  P2 P1/1st Setting , P2/2nd Setting
Total & Preset :  P  D P/Setting Value , D/Counting Value of Preset Counter

Setting of Output Delay Time

Depress The TMR Key To Display The Value of Timer < Delay Time > < SV >
Changed By The Numerical Key . < Range : 0.01s~ 99.99s >

Reset of Counting Value

Depress The RST Key To Reset The Counting Value.

Reset of Preset Counter

Depress The RST Key To Reset The Value of Preset Counter.

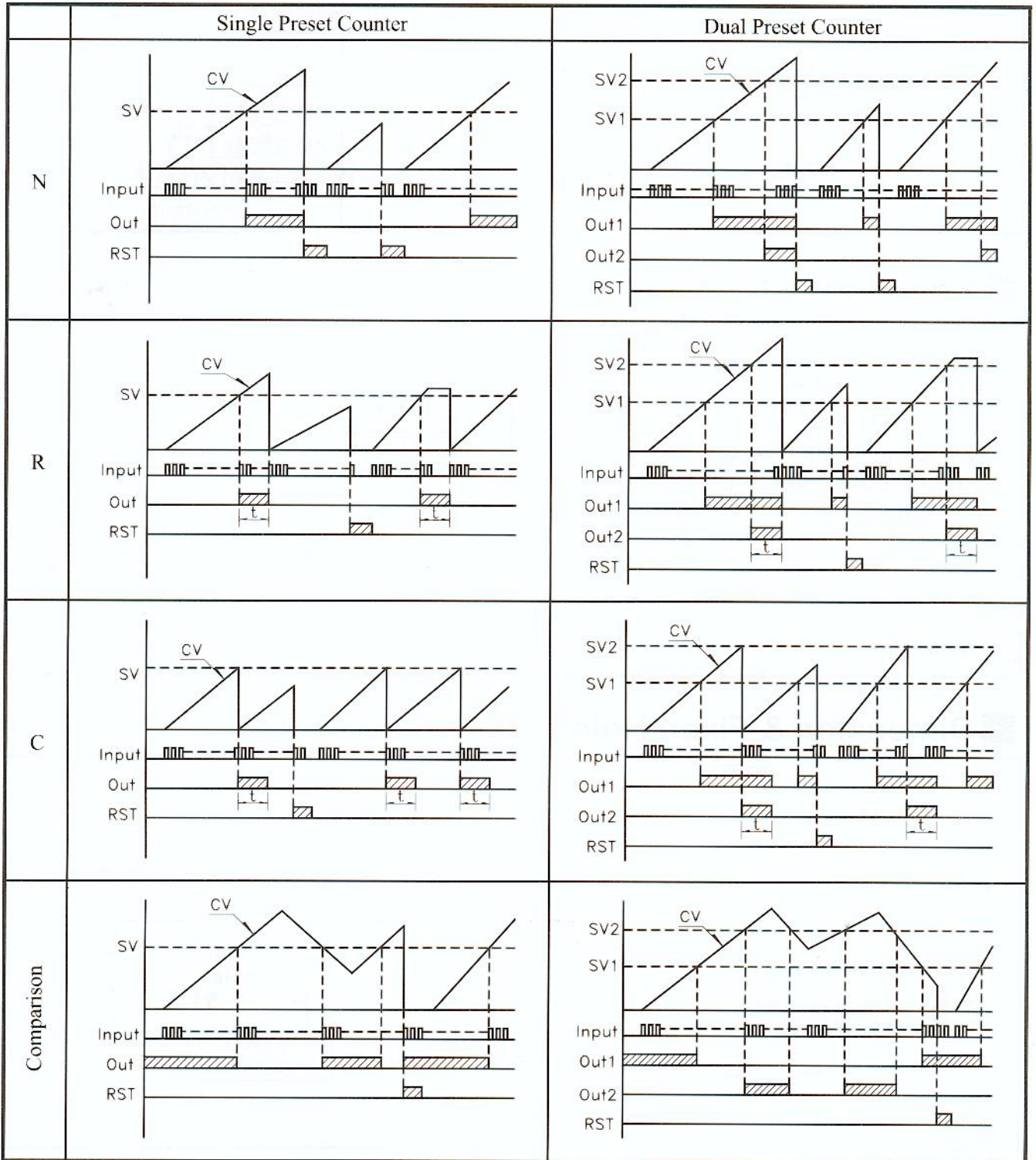
Preset of Setting Value < Numerical Key >

-  1 1st Digit Setting Key.
-  2 2st Digit Setting Key.
-  3 3rd Digit Setting Key.
-  4 4th Digit Setting Key.
-  5 5th Digit Setting Key.
-  6 6th Digit Setting Key.

Note :

P , P1 , P2 , D are LED of Address.

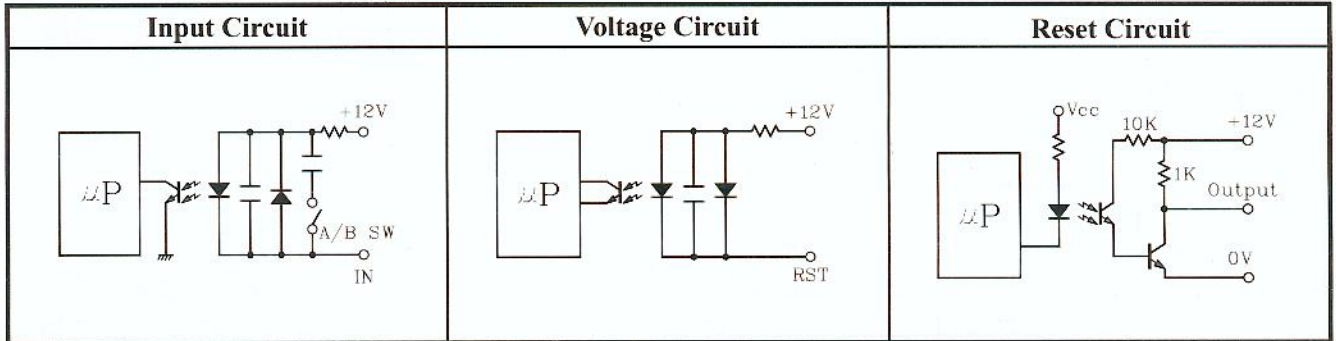
■ N / R / C Slide Switch < Output Control Selected >



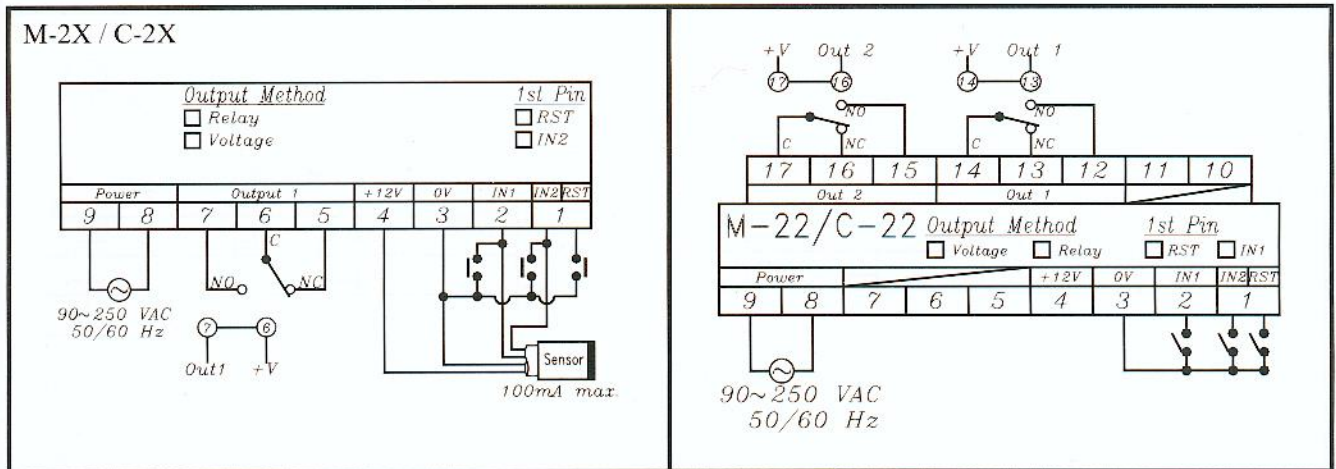
C-26X series

μP Multi-Function Up / Down Counter

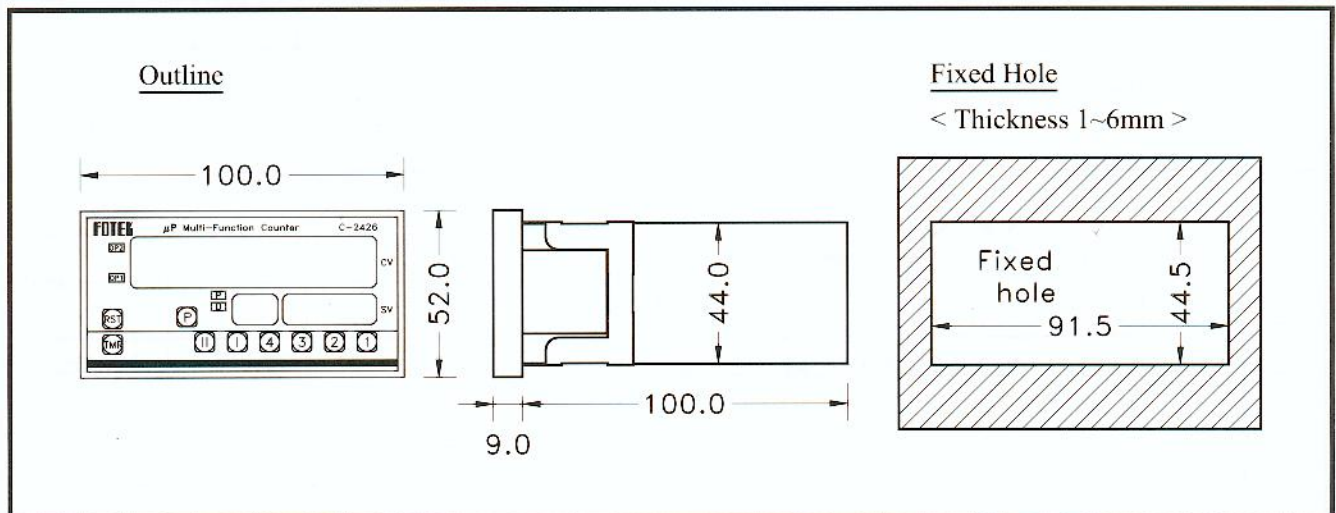
Interface Circuit



Connection Diagram



Dimension & Fixed Hole



■ Setting of Divisor or Multiplier 除數或乘數設定

Divisor : SW I -3 Set To OFF Position . < Range : 1~9999 >

Multiplier : SW I -3 Set To ON Position . < Range : 0.001~9.999 >

Set The SW I -1 To ON Position , The Display < SV > Will Display The Value of Divisor or Multiplier Which May Be Set By The Numerical Key.

After Finishing Setting , Please Set SW I -1 To OFF Position.

除法器：SW I -3 設定在 OFF 位置，範圍：1~9999

乘法器：SW I -3 設定在 ON 位置，範圍：0.001~9.999

SW I -1 設至 ON 位置，顯示器 < SV > 將顯示除數或乘數的設定值，可由數字鍵設定。完成設定後，務必將 SW I -1 切回 OFF 的位置。