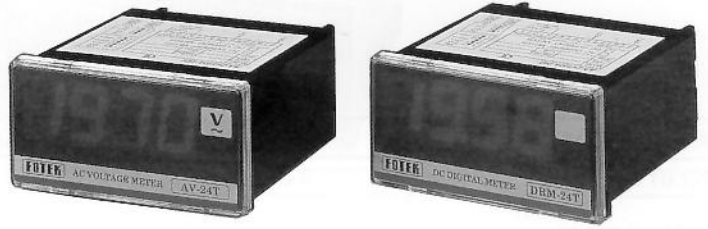


AV/DV series

DIN 48X96S AC / DC VOLTAGE METER

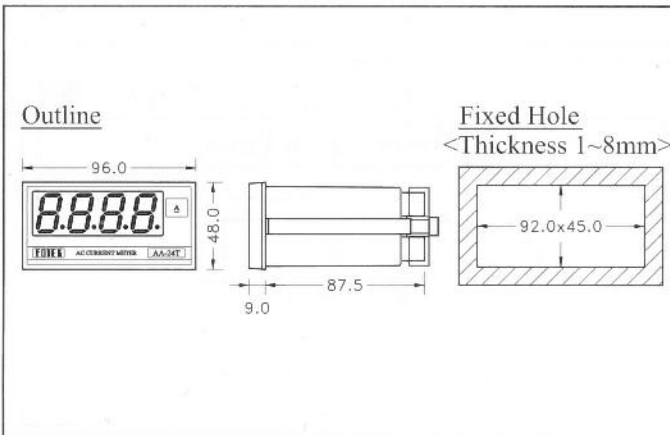
- ☆ Dual Slope A/D Converter,
Accuracy Less Than 0.2% of F.S.
- ☆ Large Size LED Display,
Easy To Monitor.
- ☆ Amplification, $10^0 \sim 10^4$, Selectable By
DIP Switch.
- ☆ Digital Scale Meter, ARM-24T Suited To
Display The RPM of Inverter or Generator.



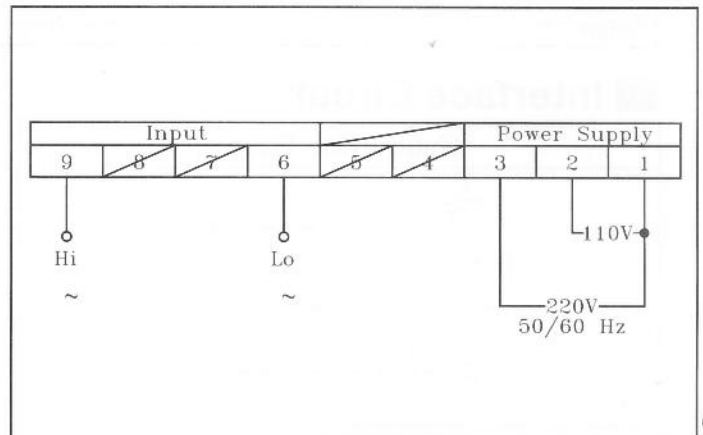
Specification

Type	AC Voltage Meter	DC Voltage Meter	Digital Scale Meter	
Model	AV-24T	DV-24T	ARM-24T	DRM-24T
Measuring Voltage	AC Voltage	DC Voltage	AC Voltage	DC Voltage
Measuring Range	400V max.			
Power Supply	AC 110V/220V 50/60Hz 5VA max.			
Display Range	1999			
Display Method	25.4 mm 7-Segment Red LED			
Converting Method	Dual Slope A/D Converter			
Accuracy	$\pm 0.2\%$ of F.S.			
Response Time	1 Sec			
Dielectric Strength	2.5KV/1 min.			
Insulation Strength	100M Ω /500VDC			
Circumstance	-20°C ~+60°C, 35%~85%RH			
Weight	310g			

Dimension



Connection Diagram



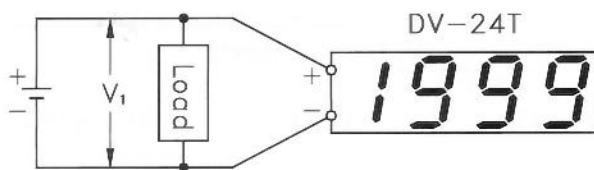
■ Illumination

SW-I Display Range	NO. of SW-I					Amplification
	1	2	3	4	5	
199.9mV	ON	×	×	×	×	10^4
1.999 V	×	ON	×	×	×	10^3
19.99 V	×	×	ON	×	×	10^2
199.9 V	×	×	×	ON	×	10^1
1999 V	×	×	×	×	ON	10^0

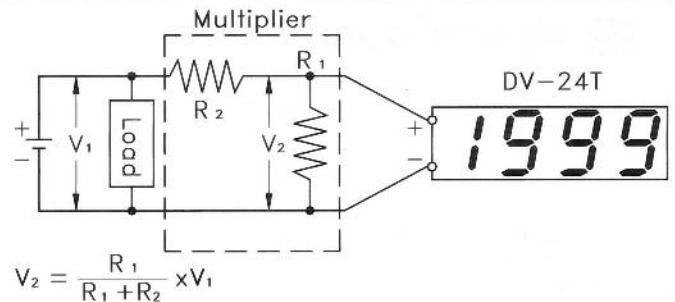
SW-II Decimal Point	NO. of SW-II			Decimal Point Selecting Is Independent On The Amplification.
	1	2	3	
1	×		ON	
2	×	ON	×	
3	ON		×	

■ How To Measure DC Voltage

Voltage $\langle V1 \rangle < 400\text{VDC}$

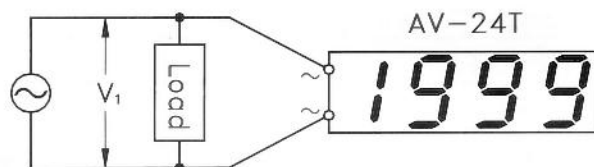


Voltage $\langle V1 \rangle > 400\text{VDC}$

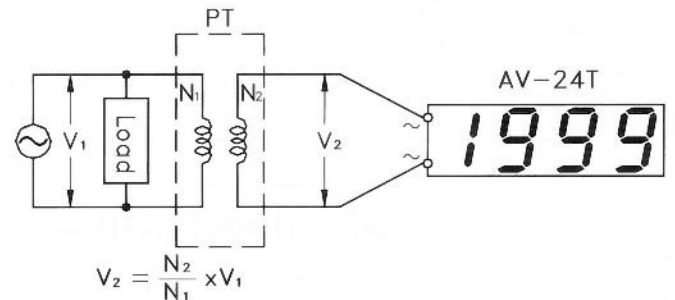


■ How To Measure AC Voltage

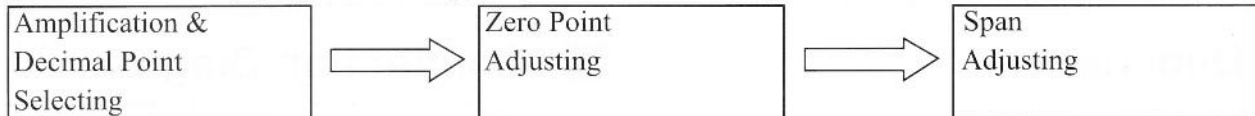
Voltage $\langle V1 \rangle < 400\text{V rms}$



Voltage $\langle V1 \rangle > 400\text{V rms}$



■ How To Apply Voltage Meter To Digital Scale Meter



SW-I & SW-II
Selecting

